

# Assembly Instructions for: All - Hinged Storage Units



**Warning: Choking Hazard**  
Assembly hardware contains small parts. **Adult assembly required.**



**Warning: No Climbing** Units are not intended for children to climb on and it is recommended that units **over 32 inches tall** be **attached to a wall to prevent tipping.**



A



B

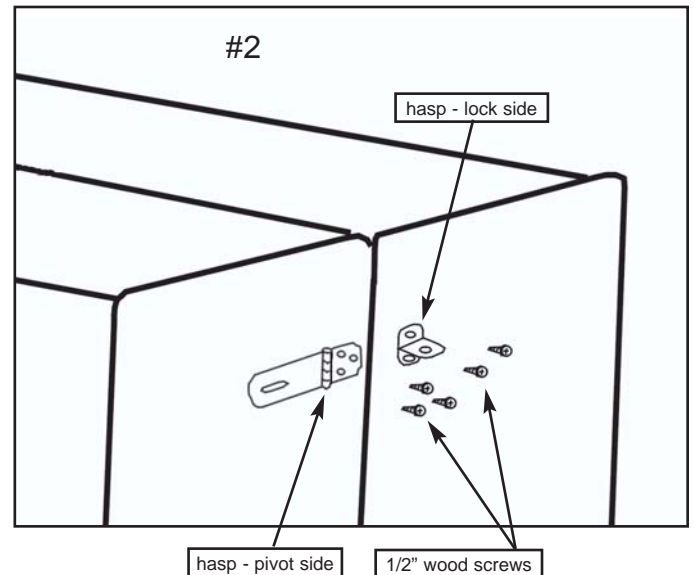
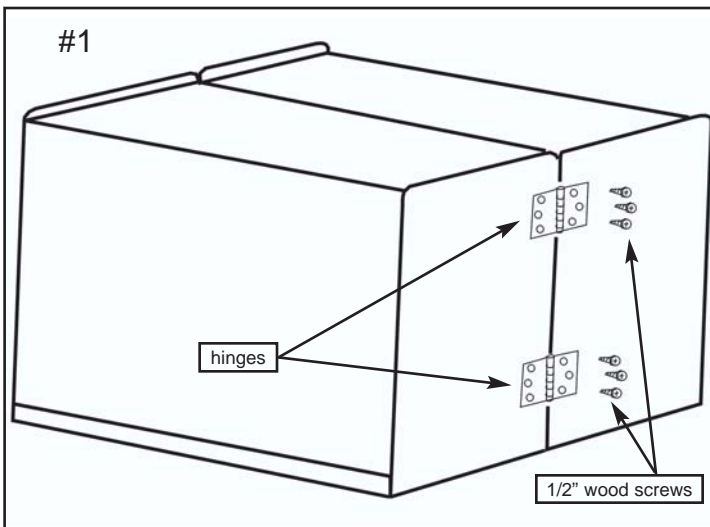
## Required Tools:

Medium Size  
Phillips Screwdriver

Instructions: Unbox unit and find hardware bag inside of box.

For a single hinged unit such as picture A or B

- 1 - Set units face to face as shown in illustration at right # 1.
- 2 - If unit has hinges mounted on one side already simply screw in the 1/2" screws (6 screws per hinge) on other side as shown. If hinges are not attached to one of the sides take hinge and mount hinge approximately 5 to 6 inches from top and bottom of unit as shown # 1.
- 3 - Mount hasp on other end as show # 2. (5 screws per hasp)



If you have any difficulties assembling this product, please call Childs Play Customer relations at (800) 447-8375 or email us at [mail@childsplay1.com](mailto:mail@childsplay1.com)  
Childs Play 131 Yorktown, Dallas, Tx. 75208  
[www.childsplay1.com](http://www.childsplay1.com)